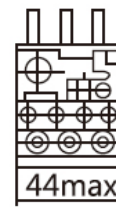
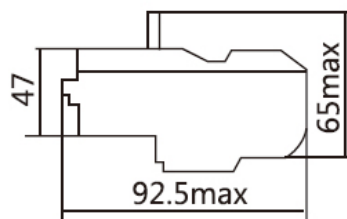


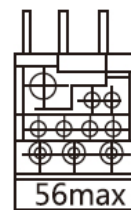
Features:

- 3 phase unbalance protection device.
- Overload protection and power failure protection
- There is a stretching spring flip jumping mechanism to ensure that the contact action is rapid and reliable.
- A flame-retardant housing can fully protect the relay from damage, wear resistance and high temperature resistance.

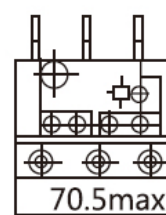
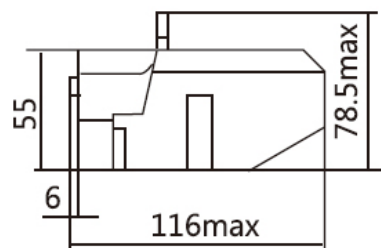
Dimension: (Unit: mm)



ATO-JR28-25

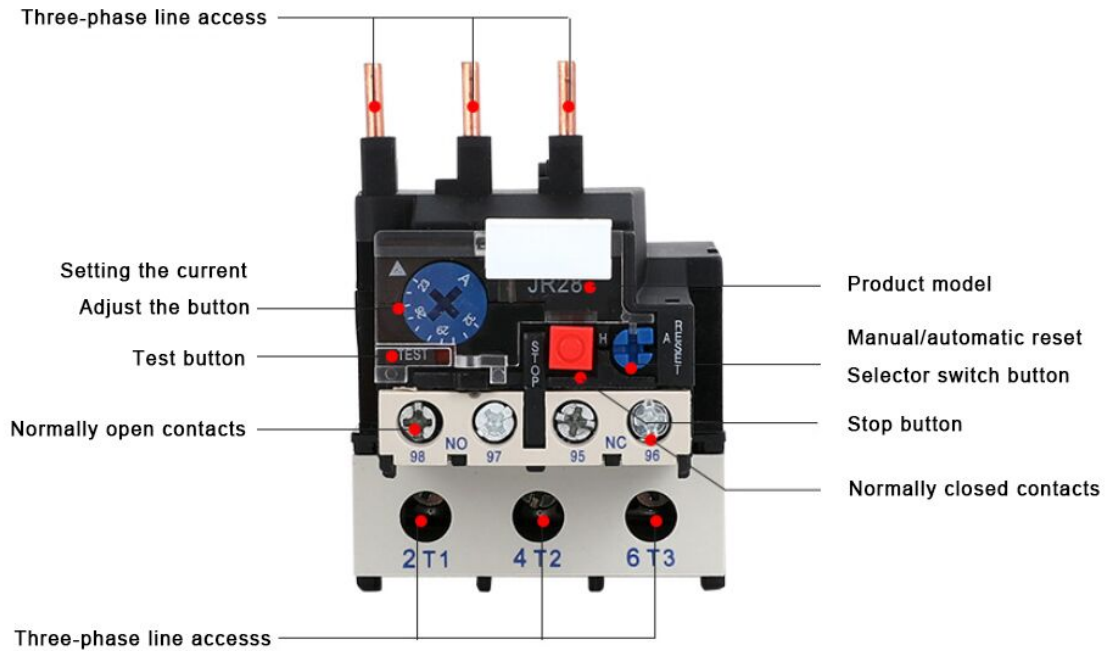


ATO-JR28-36



ATO-JR28-93

Structure:



Specification:

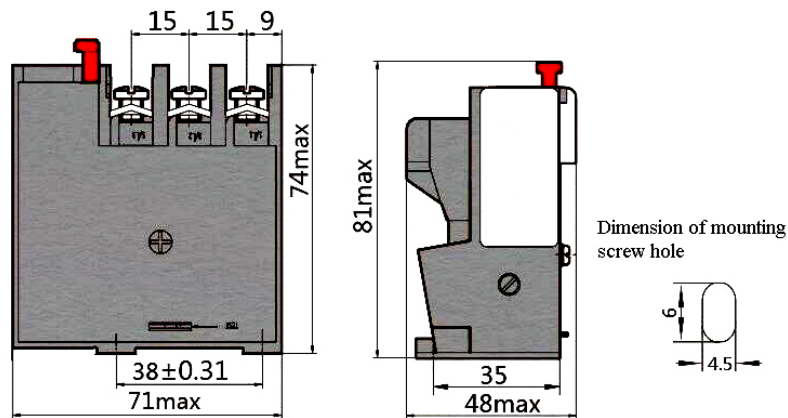
Model		ATO-JR28-25	ATO-JR28-36	ATO-JR28-93	
Rated Current		25A	36A	93A	
Rated Insulation Voltage		690V	690V	690V	
Open-phase Protection		yes	yes	yes	
Automatic & Manual Reset		yes	yes	yes	
Temperature Compensation		yes	yes	yes	
Tripping Indicator		yes	yes	yes	
Test Pushbutton		yes	yes	yes	
Stop Button		yes	yes	yes	
Mounting Mode		plug-in	plug-in	plug-in	
Auxiliary Contact		1NO + 1NC	1NO + 1NC	1NO + 1NC	
Rated Operating Current		220V	2.73A	2.73A	
		380V	1.58A	1.58A	
Traverse Cross-sectional Area	Major Loop	Single Core or Stranded Wire	1~4	6~10	6~35
		Connection Screw	M4	M4	M4
	Auxiliary Loop	Single Core or Stranded Wire	2*(0.5-1)	2*(0.5-1)	2*(0.5-1)
		Connection Screw	M3.5	M3.5	M3.5



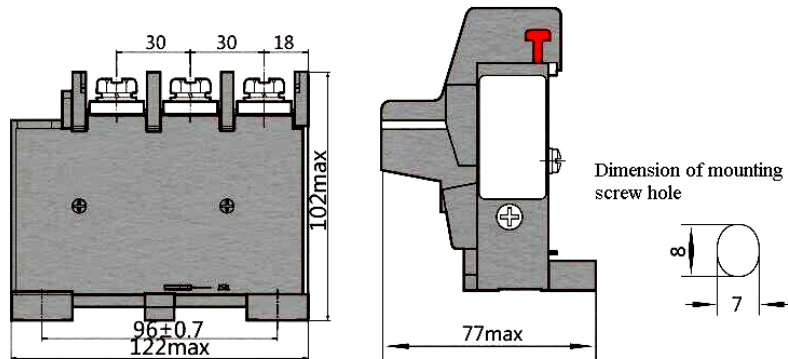
Features:

- 3 phase unbalance protection device.
- Overload protection and power failure protection
- A flame-retardant housing can fully protect the relay from damage, wear resistance and high temperature resistance.

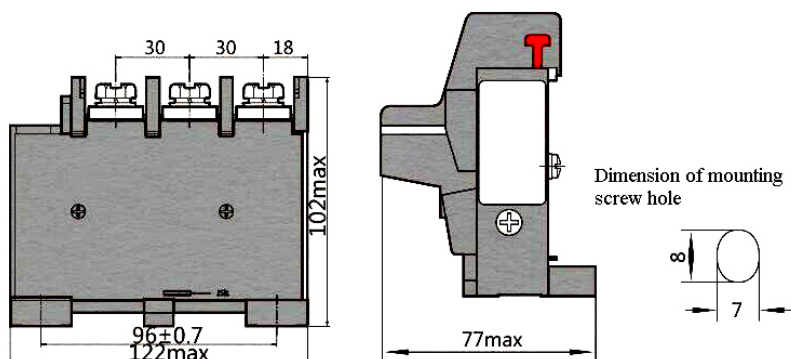
Dimension (Unit: mm)



ATO-JR36-20



ATO-JR36-63



ATO-JR36-160

Specification:

Model			ATO-JR36-20	ATO-JR36-63	ATO-JR36-160
Current			32A	63A	160A
Rated Insulation Voltage			690V	690V	690V
Open-Phase Protection			Yes	Yes	Yes
Manual and Automatic Reset			Yes	Yes	Yes
Temperature Compensation			Yes	Yes	Yes
Test Button			Yes	Yes	Yes
Installation			stand-alone type	stand-alone type	stand-alone type
Auxiliary Contact			1NO+1NC	1NO+1NC	1NO+1NC
AC-15 380V Rated Current			0.47A	0.47A	0.47A
Traverse Cross-Sectional Area	Main Loop	Single Core or Stranded Wire	1.0~6.0mm ²	2.5~16mm ²	10~70mm ²
		Binding Screw	M5	M6	M8
	Auxiliary Loop	Single Core or Stranded Wire	2*(0.75~1.5)mm ²	2*(0.75~1.5)mm ²	2*(0.75~1.5)mm ²
		Binding Screw	M3	M3	M3